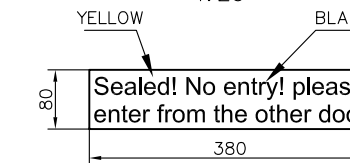


DETAIL 13
1:20



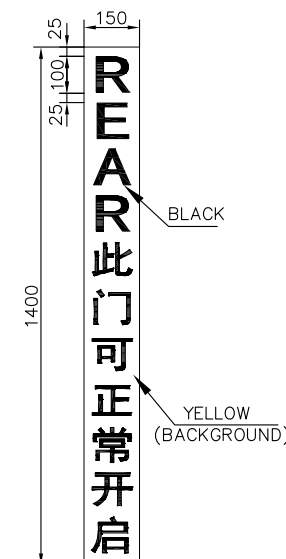
DETAIL 14
1:20

REMARK

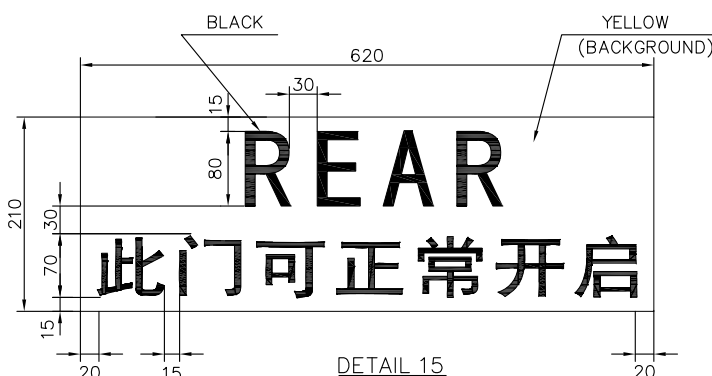
1. DECAL WARRANTY: 7 YEARS
2. CPIU 650186-650235;
EXTERIOR COLOR: Dark Blue,RAL5013;
USE WHITE KISSCUT
3. CPIU 650236-650285;
EXTERIOR COLOR: Light Ivory,RAL1015;
USE BLACK KISSCUT

18	CAUTION HEIG MARK	BLACK ON YELLOW	2	
17	REAR SIDE MARK	BLACK ON YELLOW	2	
16	"CORTEN STEEL" MEBLEM	DECAL	2	
15	REAR ROOF MARK	BLACK ON YELLOW	1	
14	ATTENTION DECAL(ENG)	BLACK ON YELLOW	1	
13	ATTENTION DECAL(CHS)	BLACK ON YELLOW	1	
11	WARNING MARK	BLACK ON YELLOW	8	
10	HEIGHT MARK	BLACK ON YELLOW	2	
9	SIZE TYPE CODE	KISSCUT	2	
8	OWNER'S CODE SERIAL NO.	KISSCUT	4	
6	WEIGHT & CAPACITY MARK	KISSCUT	2	
5	SIZE TYPE CODE	KISSCUT	2	
4	OWNER'S CODE SERIAL NO.	KISSCUT	4	
3	CLASS EMBLEM	DECAL	2	
2	BLIND RIVET GB/T 12618	ø4.0X8 STAINLESS STEEL(STEEL SHAFT)	7	
1	CONSOLIDATED DATA PLATE	CPITH-7001-DD STAINLESS STEEL	1	
NO	DESCRIPTION	DWG NO.	MT'L	QTY.

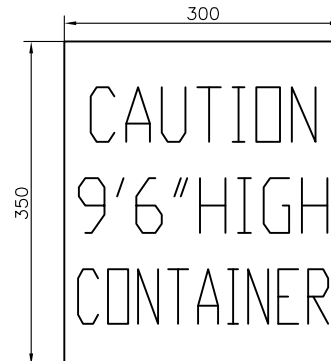
RIGHT SIDE WALL INSIDE



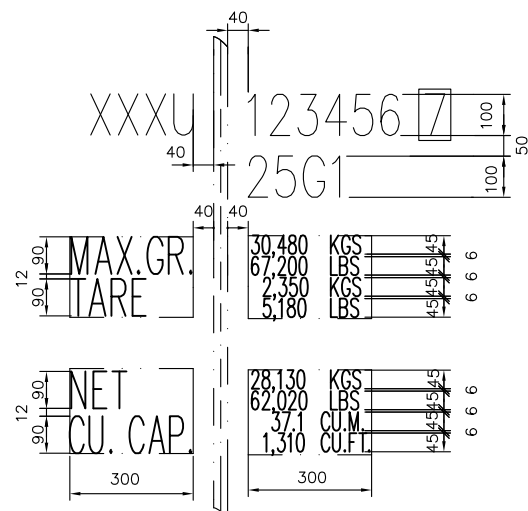
DETAIL 17
1:20



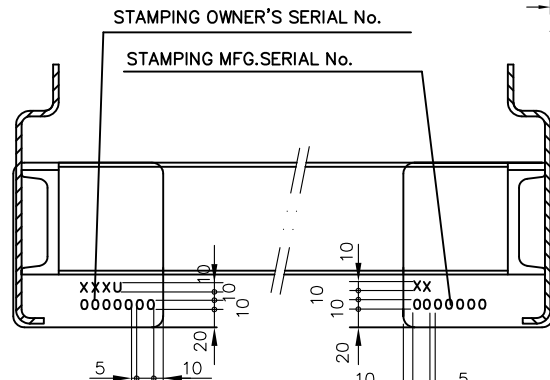
DETAIL 15
1:8



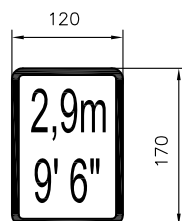
DETAIL 18
1:8



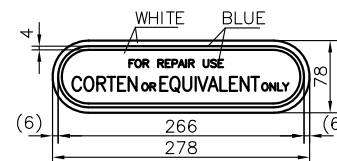
DETAIL 4;5;6
1:18



REAR END BOTTOM CORNER FITTING
1:8



DETAIL 10
1:8



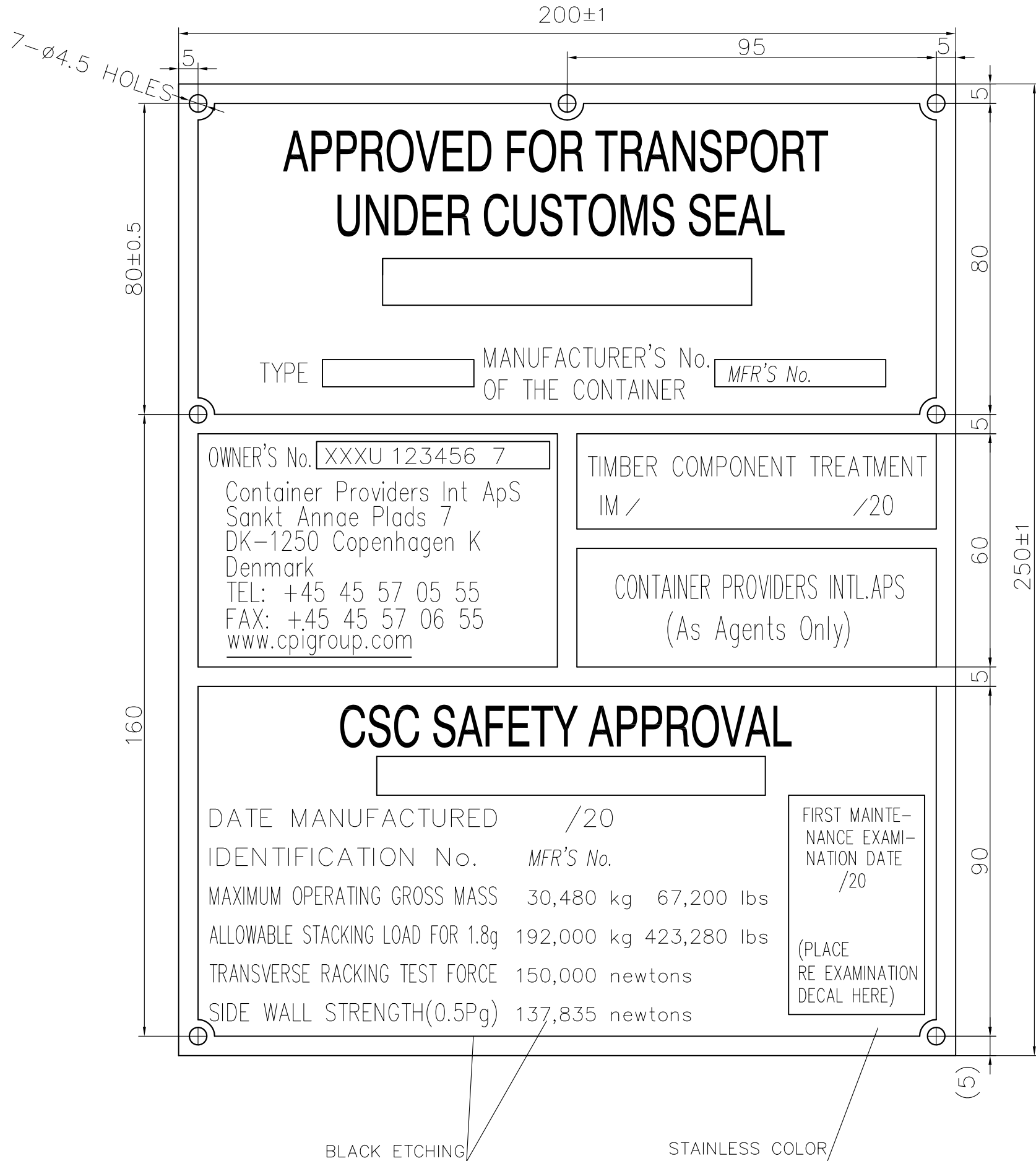
DETAIL 16
1:8



DETAIL 11
1:8

TITLE: 20'HCCDD ARRANGEMENT OF MARKING

OWNED BY: CPI	SCALE: 1:40	SIZE: A3
DESIGNED BY: WESLEY	Dec.15,2014	WEIGHT: KG. QTY.:
CHECKED BY: PETER	Dec.15,2014	DWG No.: CPITH-7000-DD
APPROVED BY: WILSON	Dec.15,2014	
SHEET 1 OF 1 SHEETS	ISSUE: 14A-00	



- NOTE:
1. MT'L: STAINLESS STEEL(t0.8)
 2. OWNER'S SERIAL No. : CPIU 650186-650235
 3. OWNER'S SERIAL No. : CPIU 650236-650285

TITLE: 20'HCDD CONSOLIDATED PLATE					
OWNED BY: CPI		SCALE: 1:1		SIZE: A4	
DESIGNED BY: WESLEY	Dec.15,2014	WEIGHT: KG.	QTY.:		
CHECKED BY: PETER	Dec.15,2014	DWG No.: CPITH-7001-DD			
APPROVED BY: WILSON	Dec.15,2014				
SHEET 1	OF 1	SHEETS	ISSUE:	14A-00	